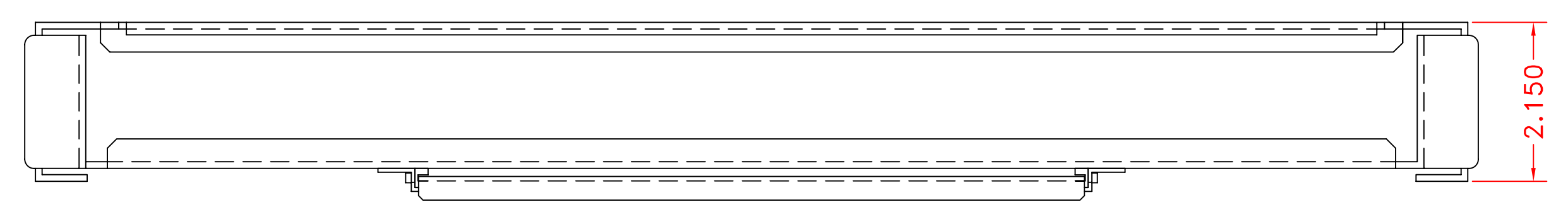
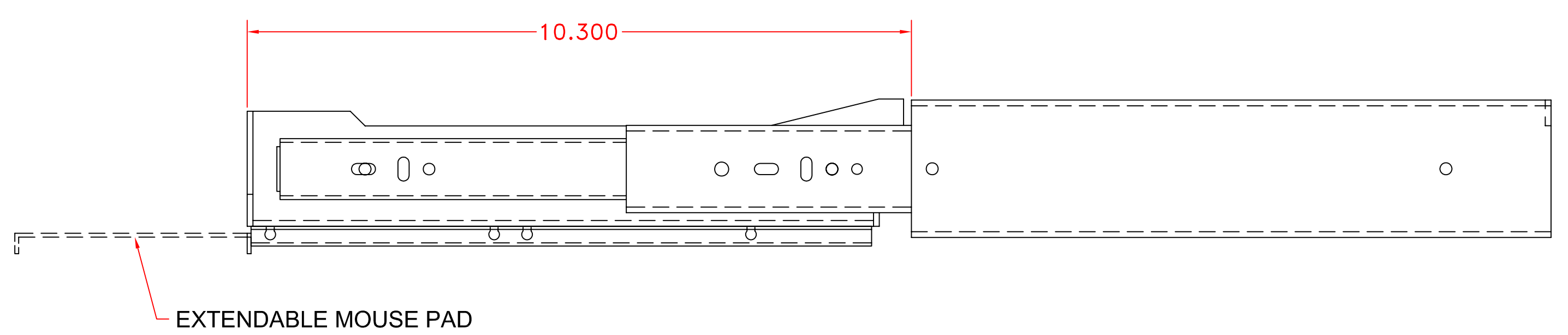


TOP VIEW

FRONT VIEW

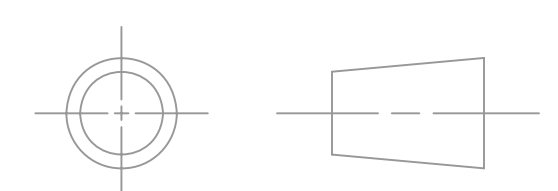


SIDE VIEW
SHOWN WITH EXTENDED KEYBOARD SHELF



MATERIAL:
5052 H32 ALUMINUM

FINISH:
EPOXY POWDER PAINT BLACK



THIRD ANGLE PROJECTION

DIMENSIONS ARE IN INCHES

TRANSDUCTION INC.

**TR-DEFENDER-USB-KEYBOARD-T
SLIDING SHELF**

DWG NO.	405-00-000-0	REV. 0
---------	---------------------	-----------

SCALE: NTS	JULY 14, 2017	SHEET 1 OF 1
------------	---------------	--------------